

# Deltek Open Plan® 8.8

Entity Relationship Diagram



While Deltek has attempted to verify that the information in this document is accurate and complete, some typographical or technical errors may exist. The recipient of this document is solely responsible for all decisions relating to or use of the information provided herein.

The information contained in this publication is effective as of the publication date below and is subject to change without notice.

This publication contains proprietary information that is protected by copyright. All rights are reserved. No part of this document may be reproduced or transmitted in any form or by any means, electronic or mechanical, or translated into another language, without the prior written consent of Deltek, Inc.

This edition published April 2026.

© Deltek, Inc.

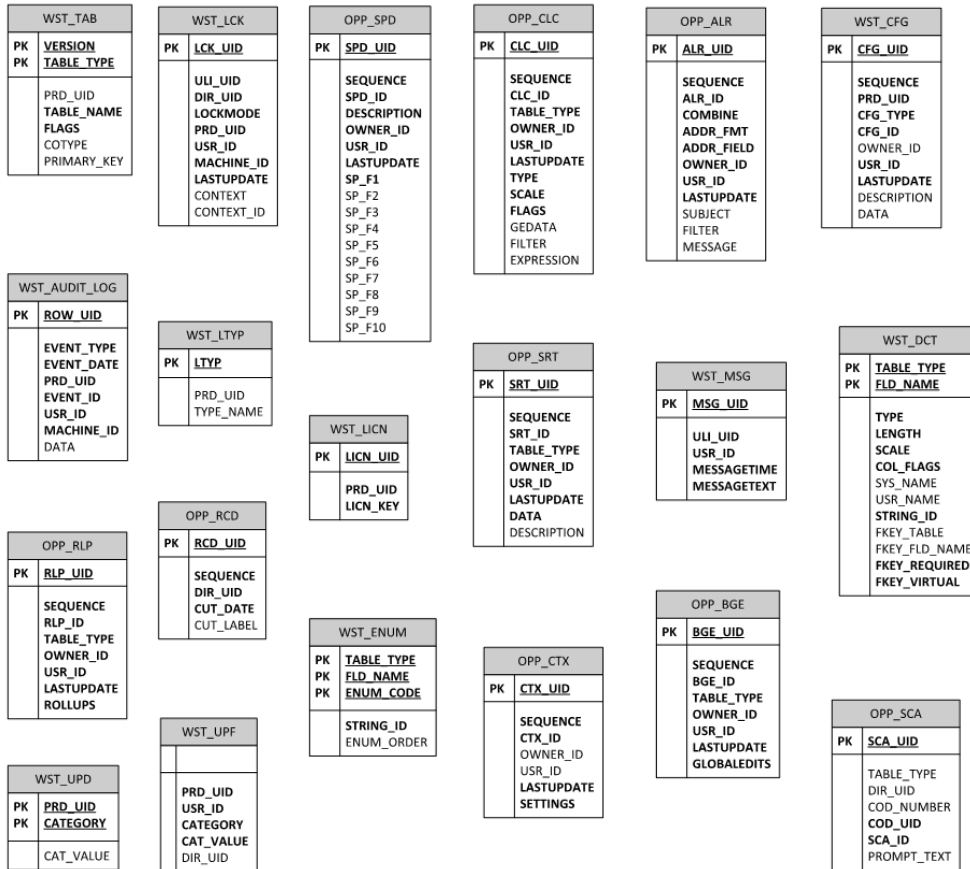
Deltek's software is also protected by copyright law and constitutes valuable confidential and proprietary information of Deltek, Inc. and its licensors. The Deltek software, and all related documentation, is provided for use only in accordance with the terms of the license agreement. Unauthorized reproduction or distribution of the program or any portion thereof could result in severe civil or criminal penalties.

All trademarks are the property of their respective owners.

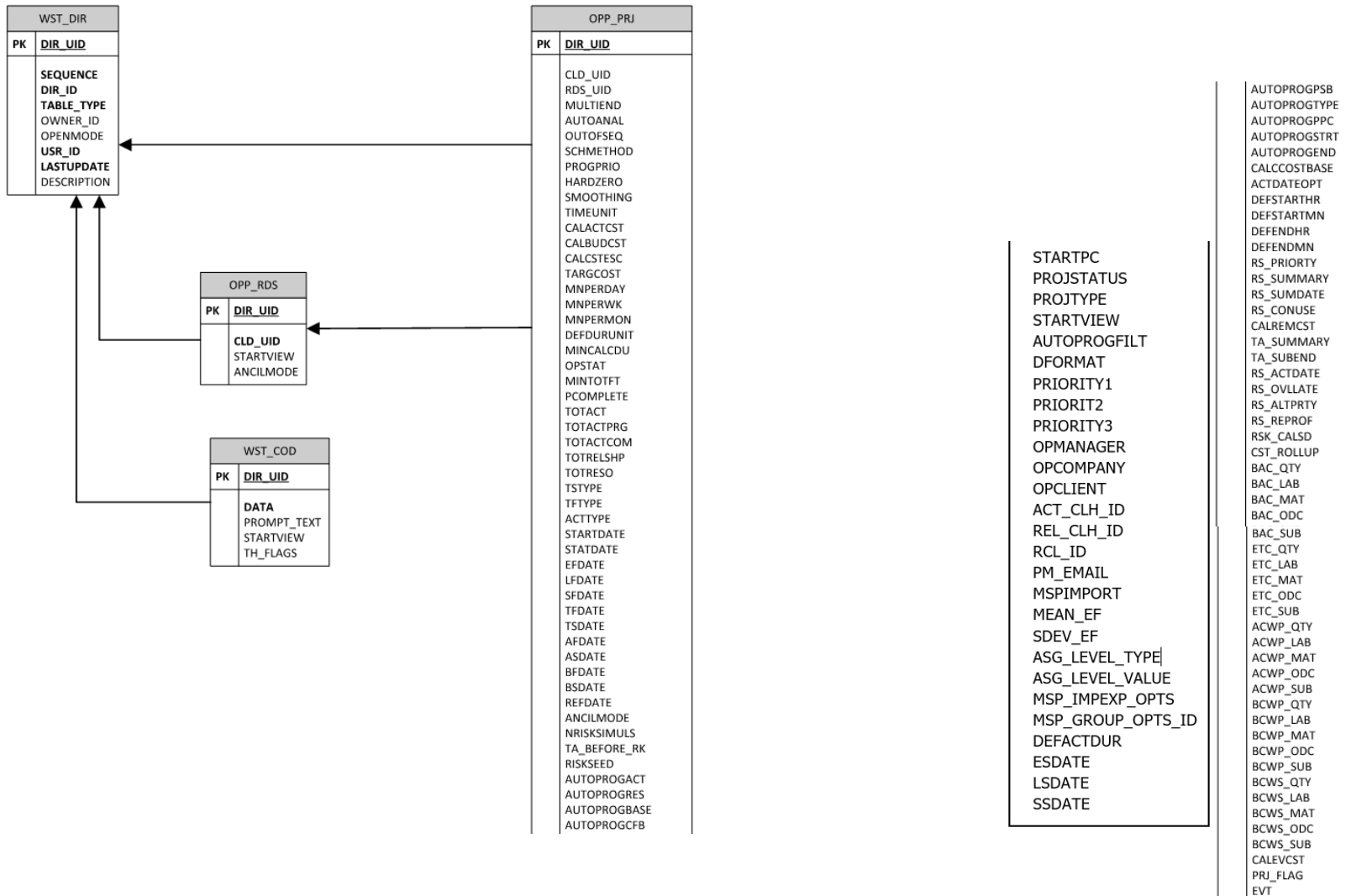
# Contents

|                                                  |           |
|--------------------------------------------------|-----------|
| <b>CONFIGURATION DATA</b> .....                  | <b>1</b>  |
| <b>DIRECTORY DATA</b> .....                      | <b>2</b>  |
| <b>SECURITY DATA</b> .....                       | <b>3</b>  |
| <b>VIEW DATA</b> .....                           | <b>4</b>  |
| <b>BASELINE DATA</b> .....                       | <b>5</b>  |
| <b>CALENDAR DATA</b> .....                       | <b>6</b>  |
| <b>CODE DATA</b> .....                           | <b>7</b>  |
| <b>EXPLORER DATA</b> .....                       | <b>8</b>  |
| <b>PROJECT DATA</b> .....                        | <b>9</b>  |
| <b>RESOURCE DATA</b> .....                       | <b>10</b> |
| <b>USER DEFINED FIELDS</b> .....                 | <b>11</b> |
| <b>USER VALIDATIONS</b> .....                    | <b>12</b> |
| <b>COMMON TABLES NOT USED BY OPEN PLAN</b> ..... | <b>13</b> |
| <b>APPENDIX A: IF YOU NEED ASSISTANCE</b> .....  | <b>14</b> |
| CUSTOMER SERVICES.....                           | 14        |
| DELTEK SUPPORT CENTER.....                       | 14        |
| ACCESS DELTEK SUPPORT CENTER.....                | 15        |
| ADDITIONAL DOCUMENTATION .....                   | 15        |

# Configuration Data

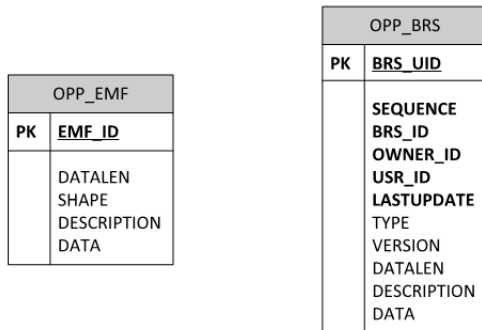
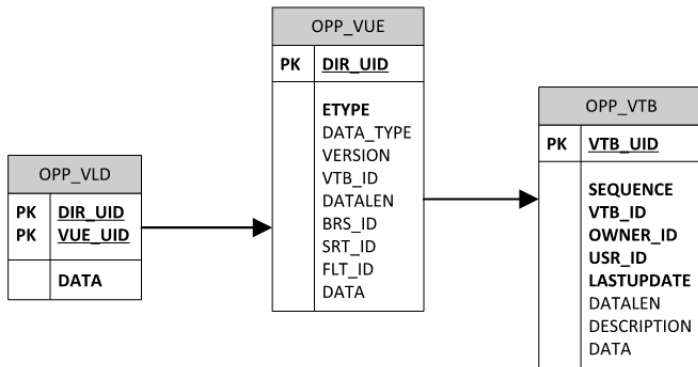


# Directory Data

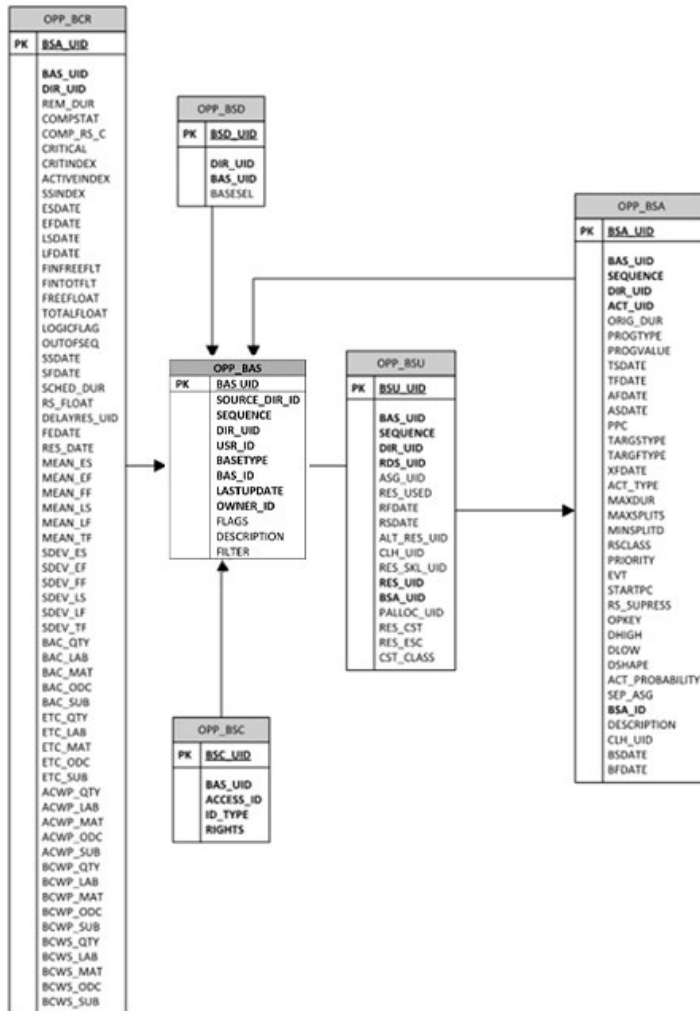




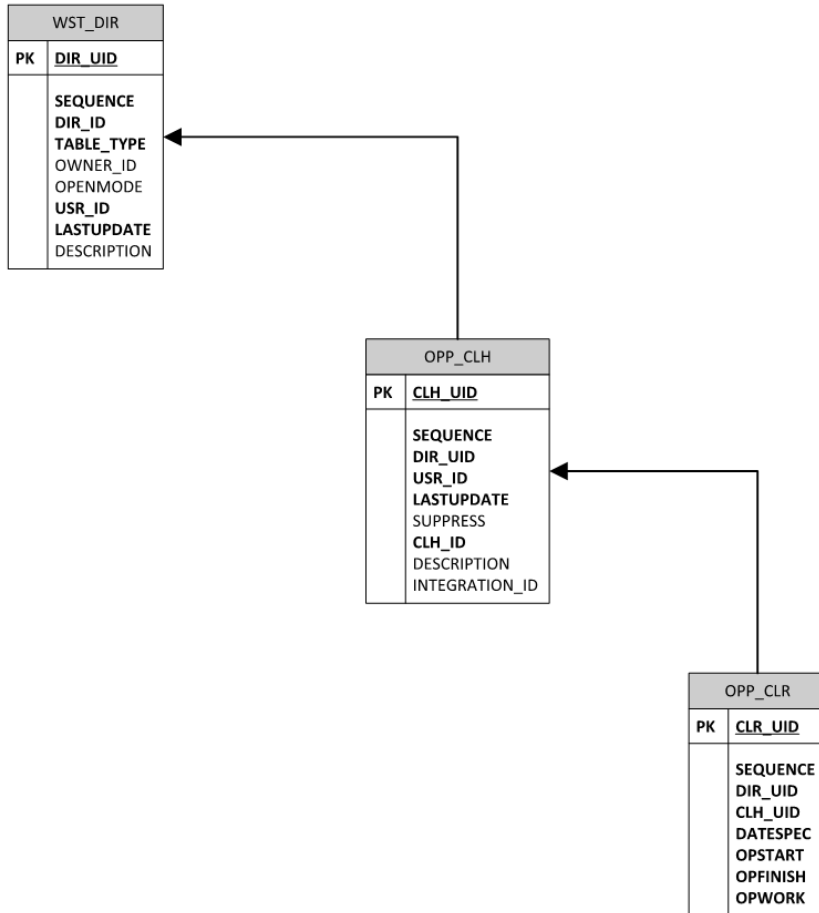
## View Data



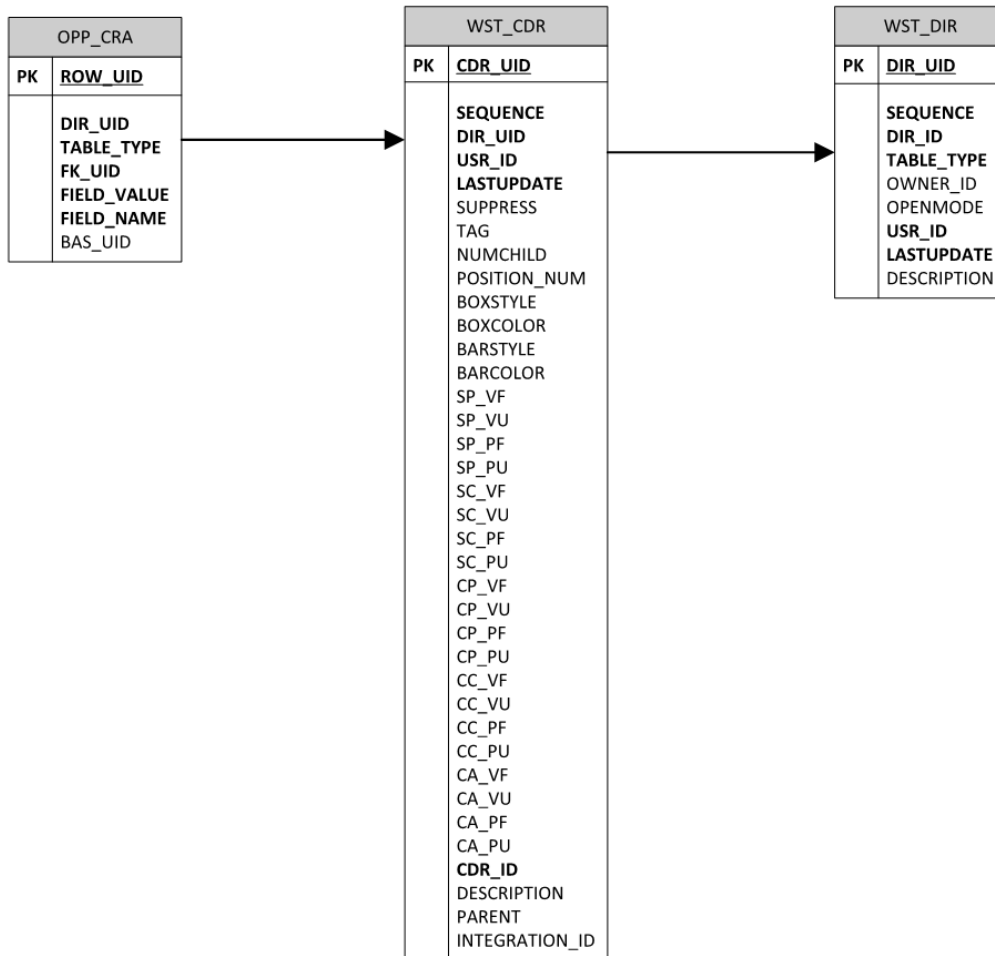
## Baseline Data



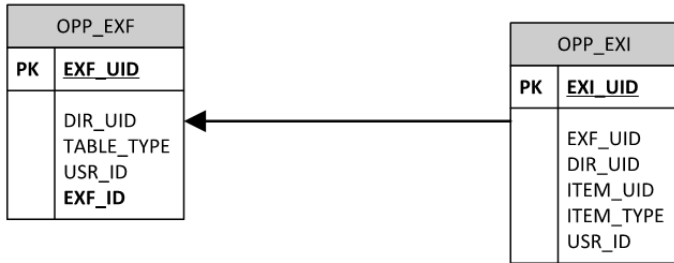
# Calendar Data



## Code Data



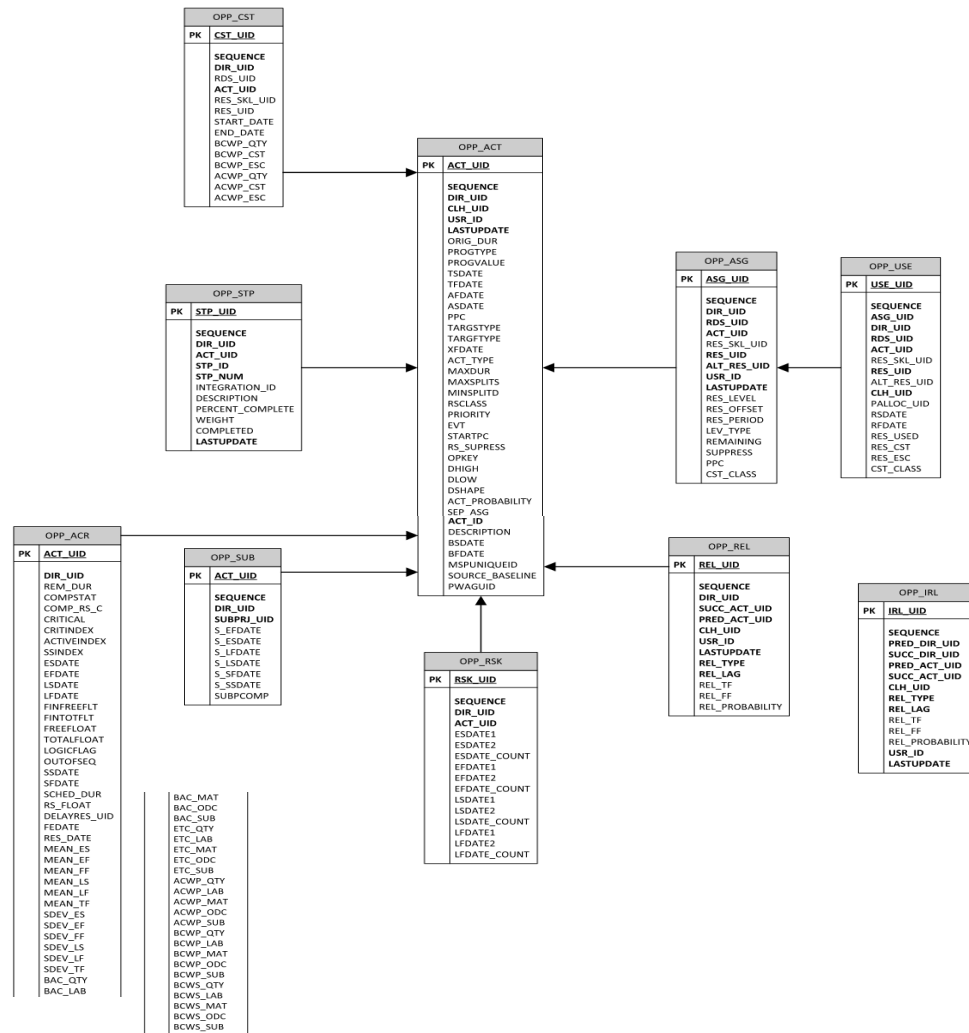
# Explorer Data



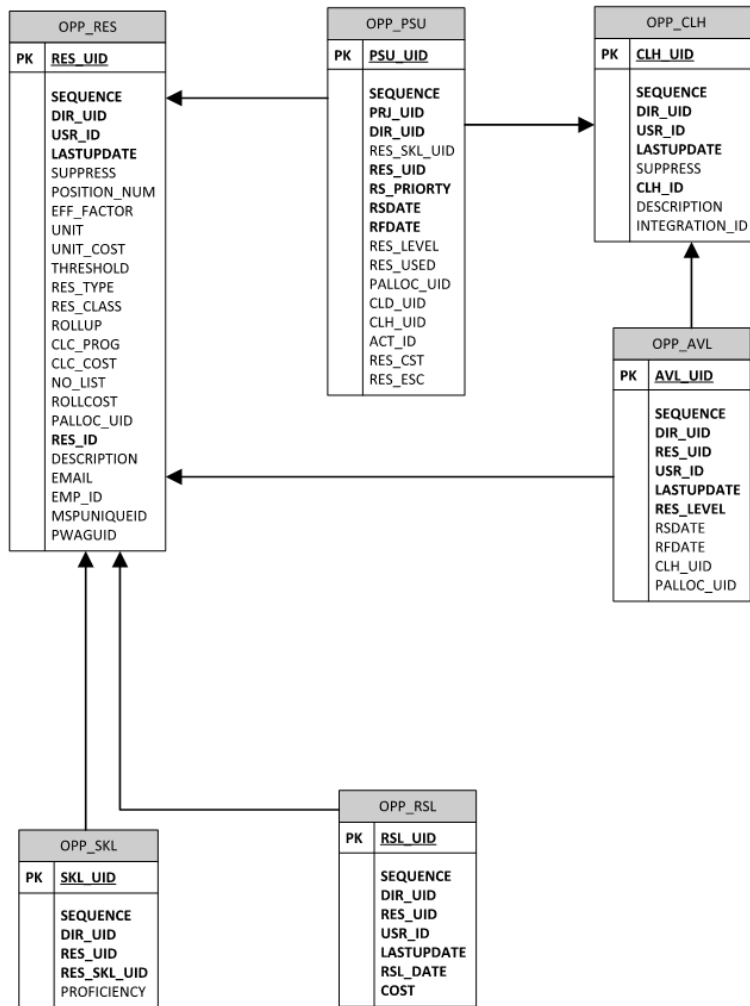
| OPP_EXL |                    |
|---------|--------------------|
|         |                    |
|         | <b>TABLE_NAME</b>  |
|         | USR_ID             |
|         | CUSTOM_NAME        |
|         | <b>FIELD_NAME</b>  |
|         | <b>WIDTH</b>       |
|         | <b>FIELD_ORDER</b> |
|         | SORT_FIELD         |
|         | GROUP_FIELD        |

| OPP_EXS |                    |
|---------|--------------------|
| PK      | <u>EXS_UID</u>     |
|         | <b>DESCRIPTION</b> |
|         | <b>DATA</b>        |

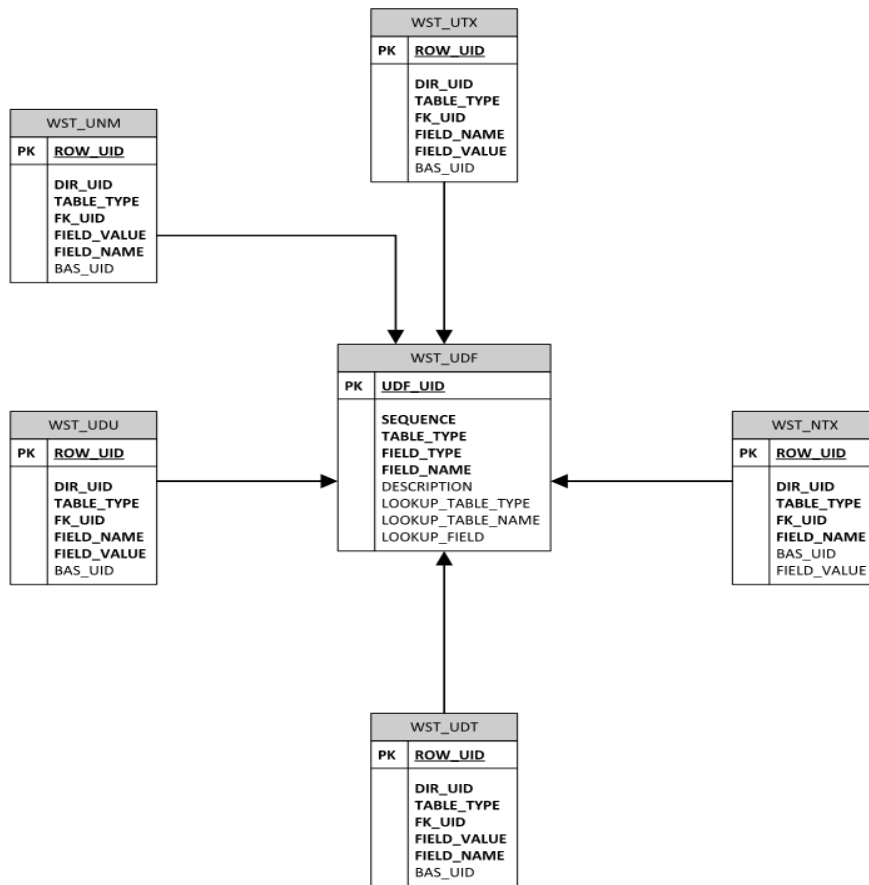
# Project Data



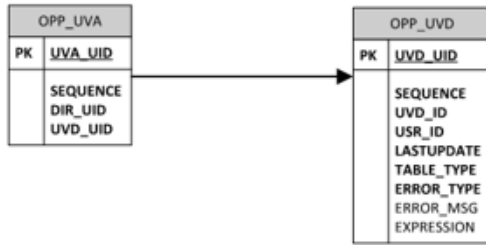
# Resource Data



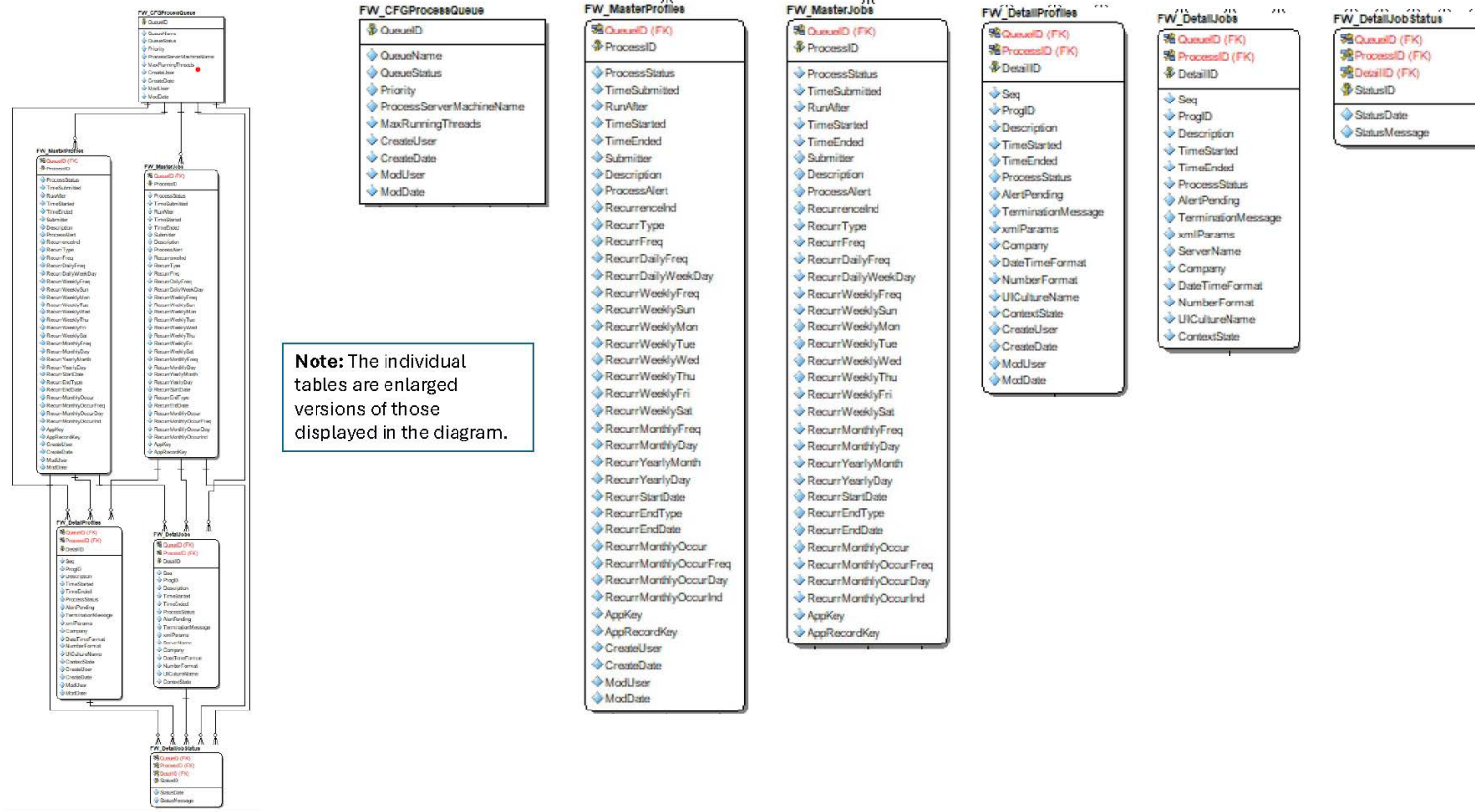
# User Defined Fields



## User Validations



# Common Tables Not Used by Open Plan



## Appendix A: If You Need Assistance

If you need assistance installing, implementing, or using Open Plan, Deltek makes a wealth of information and expertise readily available to you.

### Customer Services

Deltek has always maintained close relationships with client firms, helping with their problems, listening to their needs, and getting to know their individual business environments. A full range of customer services has grown out of this close contact, including the following:

- Extensive self-support options through the Deltek Support Center
- Phone and email support from Deltek Support Services analysts
- Technical services
- Consulting services
- Custom programming
- Classroom, on-site, and Web-based training

**Attention:** Find out more about these and other services from the Deltek Support Center.

### Deltek Support Center

The Deltek Support Center is a support Web site for Deltek customers who purchase an Ongoing Support Plan (OSP).

The following are some of the many options that the Deltek Support Center provides:

- Search for product documentation, such as release notes, install guides, technical information, online help topics, and white papers
- Ask questions, exchange ideas, and share knowledge with other Deltek customers through the Deltek Support Center Community
- Access Cloud-specific documents and forums
- Download the latest versions of your Deltek products

- Search Deltek's knowledge base
- Submit a support case and check on its progress
- Transfer requested files to a Deltek Support Services analyst
- Subscribe to Deltek communications about your products and services
- Receive alerts of new Deltek releases and hot fixes
- Initiate a Chat to submit a question to a Deltek Support Services analyst online

**Attention:** For more information regarding Deltek Support Center, refer to the online help available from the Web site.

## Access Deltek Support Center

### To access the Deltek Support Center:

1. Go to <https://deltek.custhelp.com>.
2. Enter your Deltek Support Center **Username** and **Password**.
3. Click **Login**.

**Note:** If you forget your username or password, you can click the **Need Help?** button on the login screen for help.

## Additional Documentation

The following table lists the Deltek documentation available for this release. Except where noted, all the user guides and quick reference guides listed in this table are available for download from the Deltek Support Center.

| Document Name                                                   | Description                                                                                                                                                                               |
|-----------------------------------------------------------------|-------------------------------------------------------------------------------------------------------------------------------------------------------------------------------------------|
| Deltek Open Plan Batch Processor Guide                          | This document contains information about running the Open Plan multi-instance batch processor.                                                                                            |
| Deltek Open Plan Data Tool                                      | This document provides help for all areas of the Open Plan Data Tool application.                                                                                                         |
| Deltek Open Plan Developer's Guide                              | This document is meant to serve as a reference manual for more technical topics in Open Plan.                                                                                             |
| Deltek Open Plan Guided Tour                                    | This document introduces you to the basic Open Plan operations using sample project data that comes with your installation.                                                               |
| Deltek Open Plan Installation Guide                             | This document is meant to serve as a guideline for hardware and software requirements and provide your firm's IT department with information about the technical deployment architecture. |
| Deltek Open Plan Milestone Professional Interface Add-In Module | This document is meant to serve as a guideline for using the Milestones Link tool.                                                                                                        |
| Deltek Open Plan Release Notes                                  | This document contains a summary of the pre-installation information, new features and enhancements, database changes, and software issues resolved.                                      |

| Document Name                                               | Description                                                                                                                                                                               |
|-------------------------------------------------------------|-------------------------------------------------------------------------------------------------------------------------------------------------------------------------------------------|
| Deltek Open Plan Technical Overview and System Requirements | This document is meant to serve as a guideline for hardware and software requirements and provide your firm's IT department with information about the technical deployment architecture. |